

Landscape Spikes

VISIT US AT:
bbponline.com
cartsandanchors.com

**Better Bilt
 Products, Inc.**
 Addison, Illinois



MADE IN U.S.A. 

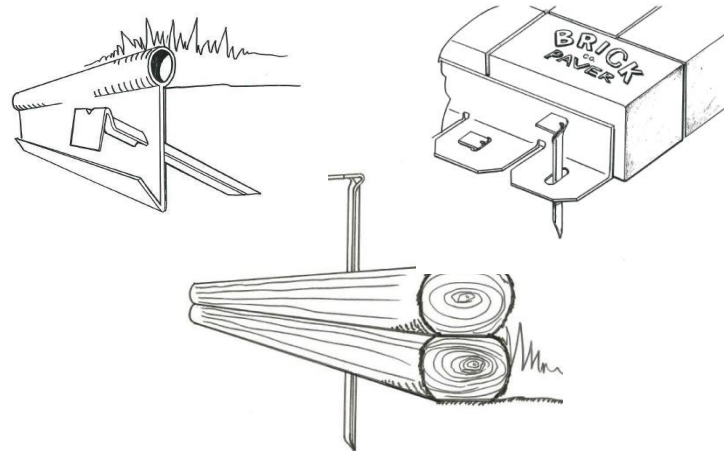
“Tough As Nails”

Landscape Spikes

- Two sizes to suit a variety of edging / staking applications
- Strong “V” design for maximum holding power / surface area
- Chisel drive end
- Proven Better Bilt design since 1986
- Packed 250 spikes per bucket

“Tough as Nails” Landscape Spikes

Item	Length	Width	Weight	Spike Construction	Spike Head Dimensions
3A-TAN09	9”	3/4”	50 #	16 ga. steel	1” square
3A-TAN10	10”	3/8”	25 #	18 ga. steel	5/8” square



Order online: cartsandanchors.com
 or call 1-800-544-4550

Visit us at: bbponline.com

To see our full line of professional landscape products

Better Bilt Products, Inc

Manufacturer of products for the Horticultural industry since 1946

900 S. Kay Ave.
 Addison, IL 60101
 630.543.6767 / 800.544.4550
 630.543.0524 fax

Copyright © 2009 Better Bilt Products, Inc.

